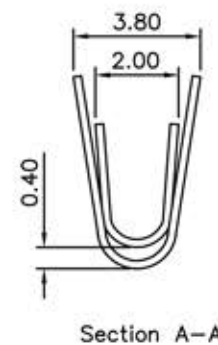
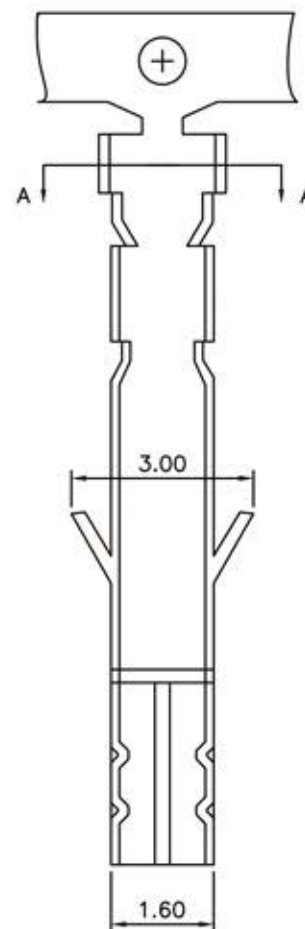
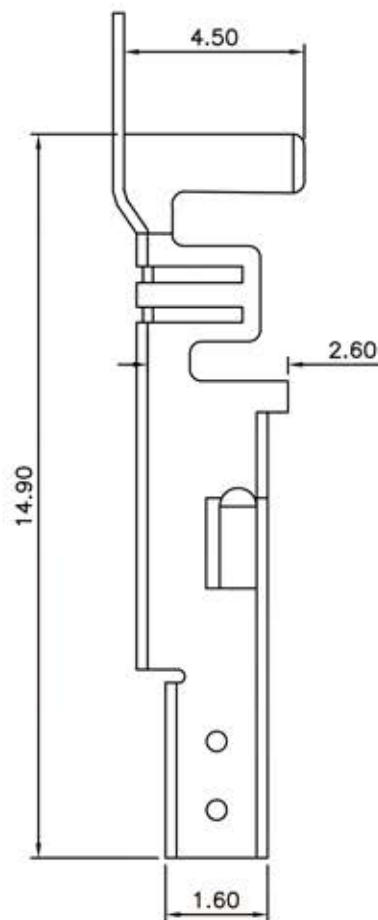


SPECIFICATIONS

Material: Brass
 Finish: Tin Plated
 Hardness: H/SH
 Thickness: 0.20mm
 Q'ty: 5000 Pcs/Roll
 ⚠️ Wire Range: AWG#16~#22



PART HUP پارت هاب
PH پارت هاب
 از بازار آنلاین بخرید

DRAWING No.

0246EHEC10

APPROVED BY

MEI

CHECKED BY

RAN

DRAWING BY

HZF

UNLESS OTHERWISE SPECIFIED TOLERANCES ARE
 .X ±0.38
 .XX ±0.25
 ANG.

SCALE

NONE

REV.

A2

UNIT
mm



NO. REV.

REVISIONS

CHK

DATE

⚠️ A2	Modify AWG#16~#20—AWG#16~#22	BECKY	03/16/2006
⚠️ A1	Add Wire Range	BECKY	12/21/2005
⚠️ A	NEW RELEASE	RAN	