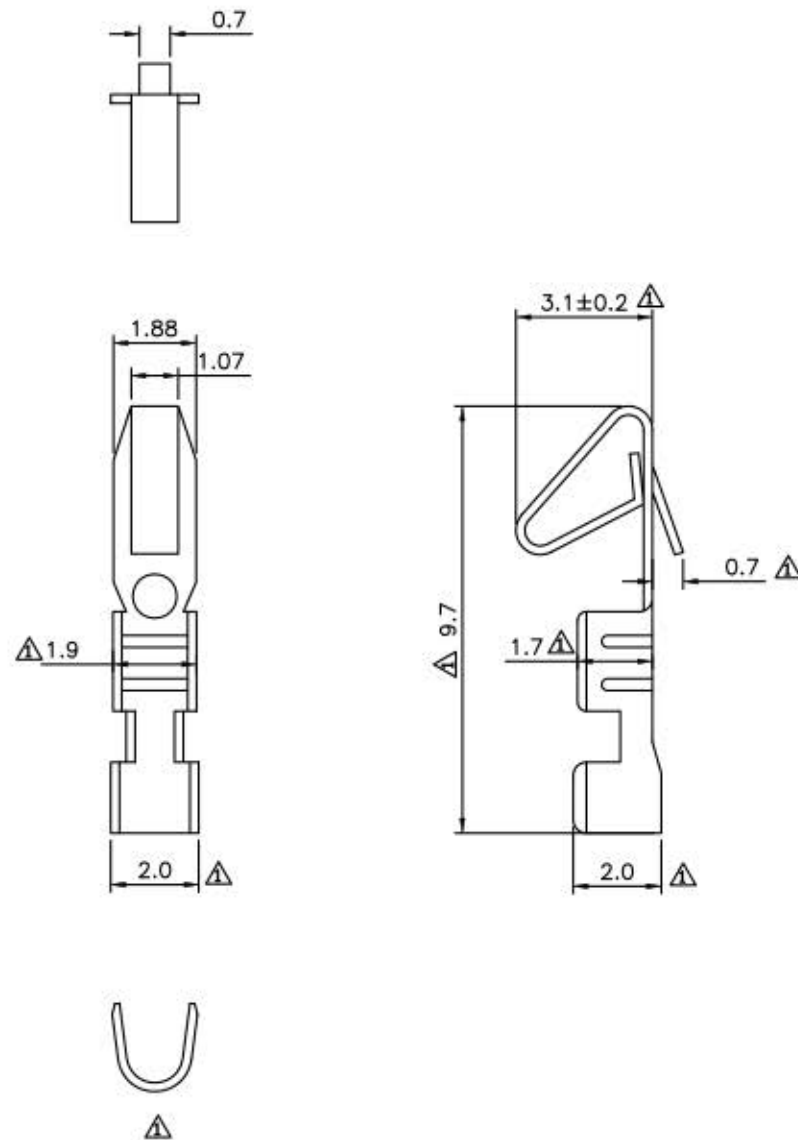


△ SPECIFICATION

Applicable Wire:AWG #22~30
 Material:Brass,Tin Plated
 Thickness:0.2mm
 Hardness:SH
 Q'ty:10000 PCS/Roll
 RoHS Compliant



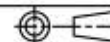
پارت هاب PART HUP **پارزها** PH
 از بازار، آنلاین بخريد

DRAWING No.
01993

APPROVED BY
MEI
 CHECKED BY
HZF
 DRAWING BY
QQJ

UNLESS OTHERWISE SPECIFIED TOLERANCES ARE
 .X ±0.38
 .XX ±0.25

SCALE NONE REV. A1 UNIT mm



NO.	REV.	REVISIONS	CHK	DATE
△ A1		Modify Data	HZF	03/05/2010
△ A0		NEW RELEASE	BECKY	02/14/2006