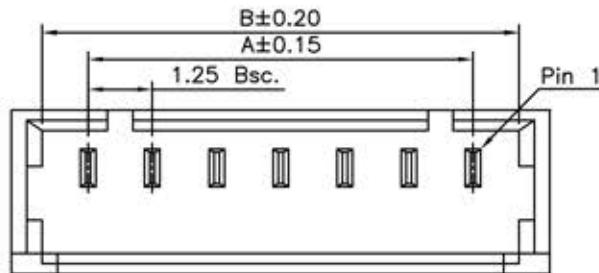
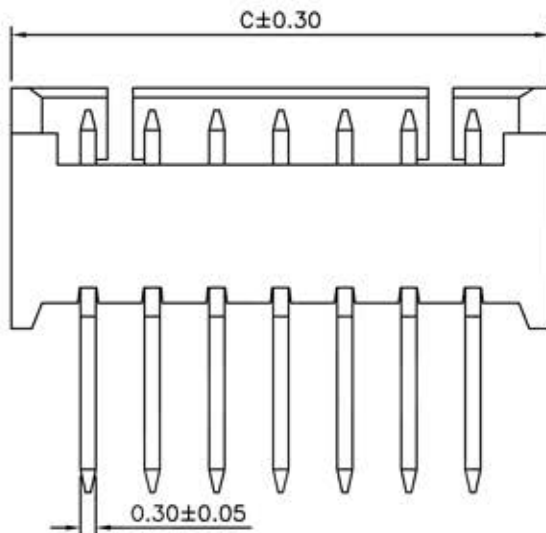


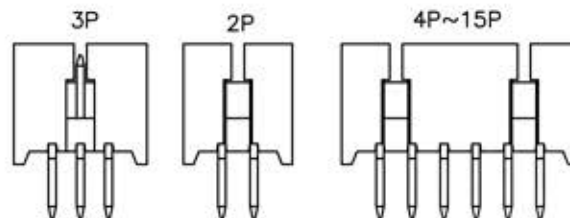
△ Recommended P.C.B. Layout
(PCB Board Tolerance ±0.05)



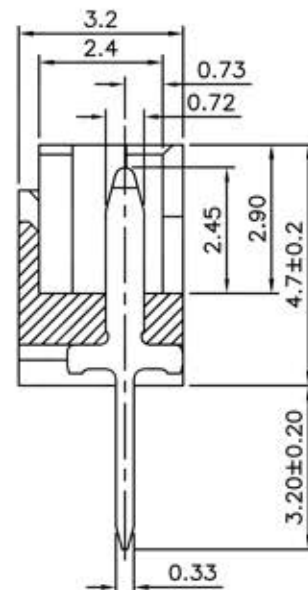
△



△



△ Lock Window View



△

△ SPECIFICATION

Current Rating: 1A
 Voltage Rating: 125V AC
 Dielectric Voltage: 250V AC For One Minute
 Contact Resistance: 20 Milliohms Max. (Initial)
 40 Milliohms Max. (Final)
 Insulation Resistance: 100 Megaohms Min. At 500V
 Operation Temperature: -25°C ~ +85°C
 Insulator: PA46 (UL94V-0), Nature
 Contact: Brass, Tin Plated Over Nickel
 RoHS Compliant

△

Pin	A	B	C
02	1.25	3.05	4.25
03	2.50	4.30	5.50
04	3.75	5.55	6.75
05	5.00	6.80	8.00
06	6.25	8.05	9.25
07	7.50	9.30	10.50
08	8.75	10.55	11.75
09	10.00	11.80	13.00
10	11.25	13.05	14.25
11	12.50	14.30	15.50
12	13.75	15.55	16.75
13	15.00	16.80	18.00
14	16.25	18.05	19.25
15	17.50	19.30	20.50

پارت هاب PART HUP
 از بازار، آنلاین بخرید
 PH پارت هاب

DRAWING No.

01201

SCALE

NONE

APPROVED BY

EMILY

CHECKED BY

H.Z

DRAWING BY

YBL

REV.

B1

UNLESS OTHERWISE

SPECIFIED

TOLERANCES ARE

.X ± 0.25

.XX ± 0.15

UNIT

mm



NO. REV.

REVISIONS

CHK

DATE

△ B1 Modify Data HZF 12/04/2013

△ B0 NEW RELEASE HZF 12/10/2009