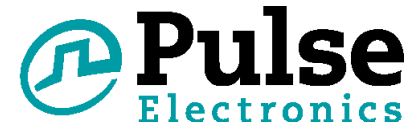


# PulseJack™

## Low Profile 1x1 Tab-Up



### Description:

100/1000Base-T RJ45 single port (1x1) Tab-UP integrated magnetics connector, designed to support applications such as Network Interface Cards (NIC), LAN-on-Motherboard (LOM), and PC applications.



### Features and Benefits:

- Ⓜ Compliant with IEEE 802.3 standard
- Ⓜ 350µH minimum OCL with 8mA bias current
- Ⓜ High performance for maximum EMI suppression
- Ⓜ Low height and small footprint to minimize board space
- Ⓜ RoHS peak wave solder temperature rating 260°C

### Electrical Specifications @ 25°C - Operating Temperature 0°C to +70°C

Part Number	Speed	Side EMI Tabs	Insertion Loss TX/RX (dB)	Return Loss (dB TYP) 100Ω (±15Ω)					Crosstalk (dB TYP)			Common Mode Rejection (dB TYP)	Hipot (MIN) @ 60Hz 1 MIN
				1-100 MHz	1-10 MHz	30 MHz	60-80 MHz	80-100 MHz	1-10 MHz	32-65 MHz	65-100 MHz		
JOG-0001NL	1000Base-T	Horizontal	-1.2	-18	-18	-12	-10	-40	-35	-30	-30	1500Vrms	
JOG-0003NL	1000Base-T	No Tabs	-1.0	-18	-18	-12	-10	-40	-35	-30	-30	1500Vrms	
JOG-0007NL	100Base-TX	Horizontal	-1.0	-18	-18	-12	-10	-40	-35	-30	-30	1500Vrms	
JOG-0009NL	1000Base-T	Vertical	-1.0	-18	-18	-12	-10	-40	-35	-30	-30	1500Vrms	

### Notes:

1. LEDs Left/Right: **G** = green; **Y** = yellow; **Y-G** = Bicolor.
2. JOG-0003NL is supplied without EMI tabs; refer to mechanical drawing (page 5) for explanation of EMI tabs.

### RJ45 Durability Test Rating

Part Number	Mating Force (MAX)	Unmating Force (MAX)	Durability	Plug to Jack Retention (MIN)
JOG Series	5 lbs./2.268 kgs.	5 lbs./2.268 kgs.	750 Insertions	20 lbs./9.072 kgs.

### RJ45 Material Specification

Part Number	Shield		Contact			Housing		MSL <sup>2</sup> Rating
	Material	Finish	Material	Plating Area	Solder Area	Material	Specification	
JOG Series	Brass	20-40µ inches thick nickel over brass	Phosphor Bronze	15µ inches gold over 30-80µ inches nickel	Tin matte finish over nickel	Thermoplastic	UL 94 V-0	1

### Notes:

1. Connector dimensions comply with FCC dimension requirements.
2. MSL - Moisture Sensitivity Level class limits = 1 to 5 (Highest: 1; Lowest: 5)

USA 858 674 8100

Germany 49 7032 7806 0

Singapore 65 6287 8998

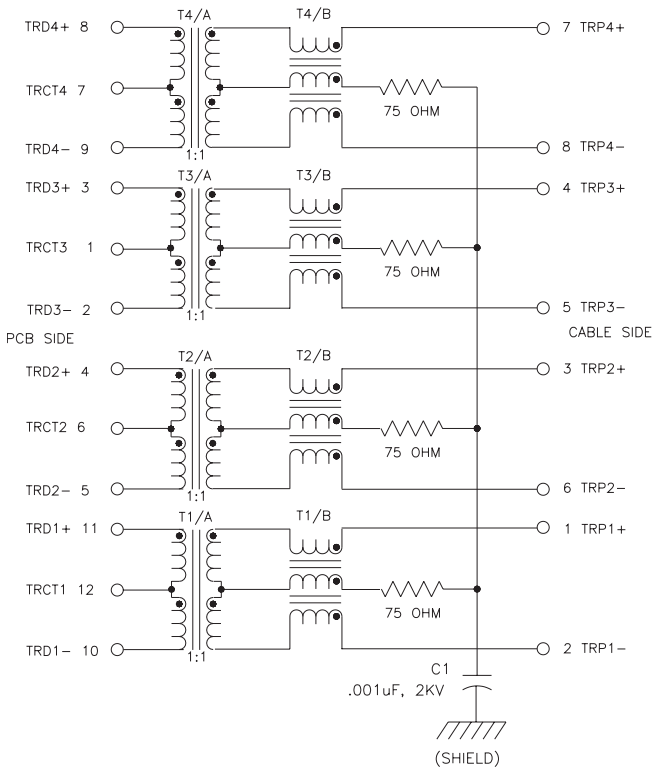
Shanghai 86 21 62787060

China 86 755 33966678

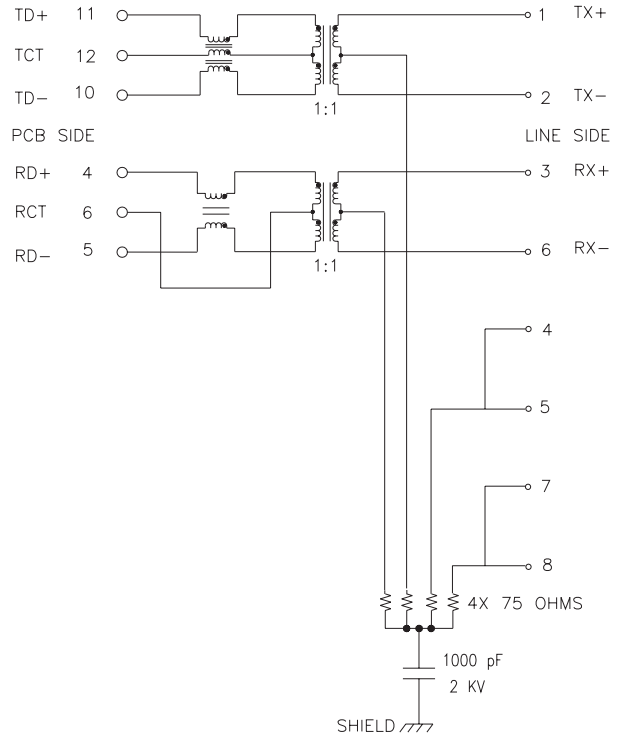
Taiwan 886 3 4356768

Schematics

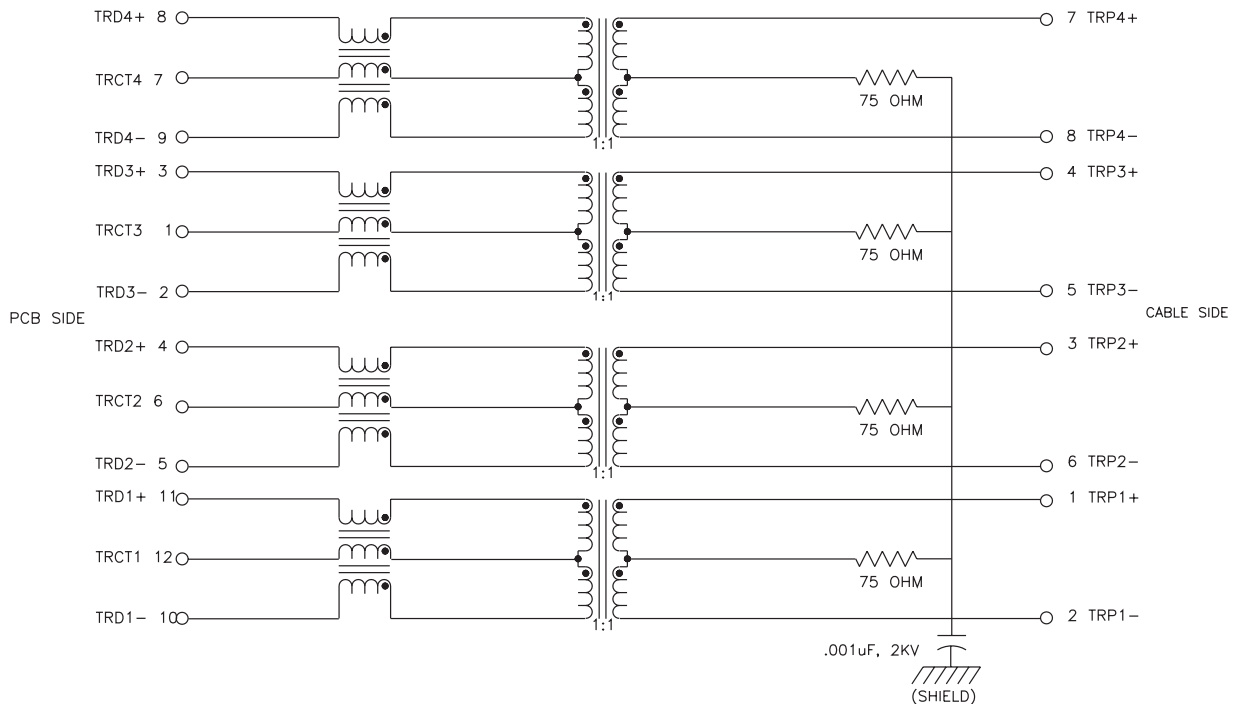
JOG-0001NL / JOG-0003NL



JOG-0007NL



JOG-0009NL

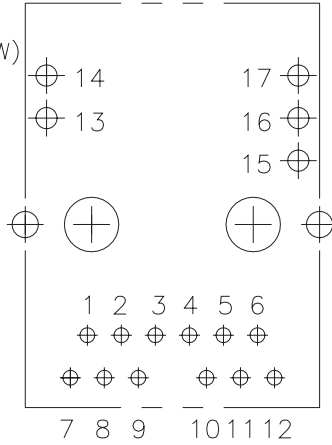


# PulseJack™ Low Profile 1x1 Tab-Up

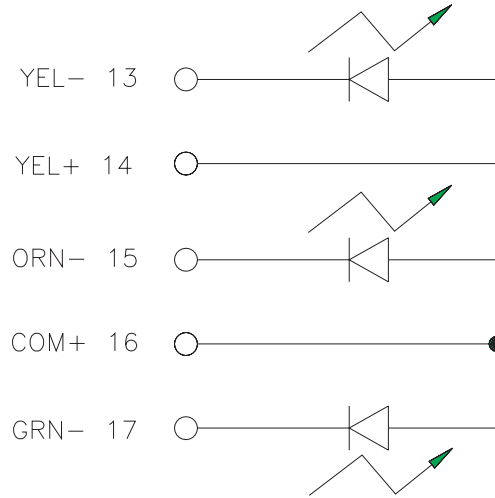


## Pin Assignments

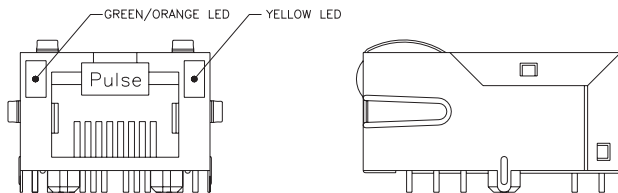
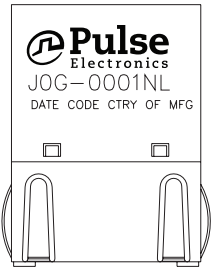
PIN ASSIGNMENTS  
(COMPONENT SIDE VIEW)



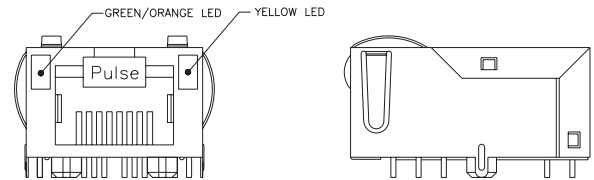
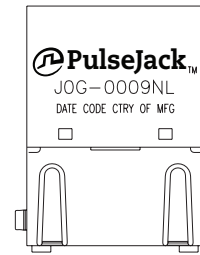
## LED Configuration



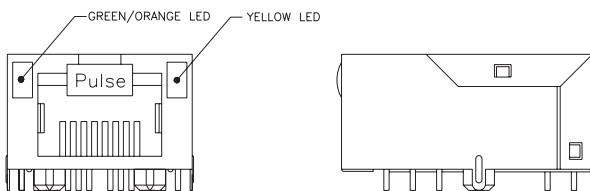
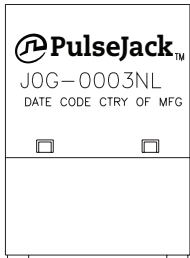
### JOG-0001NL



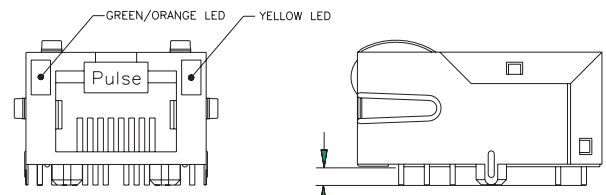
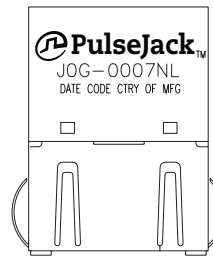
### JOG-0009NL



### JOG-0003NL



### JOG-0007NL

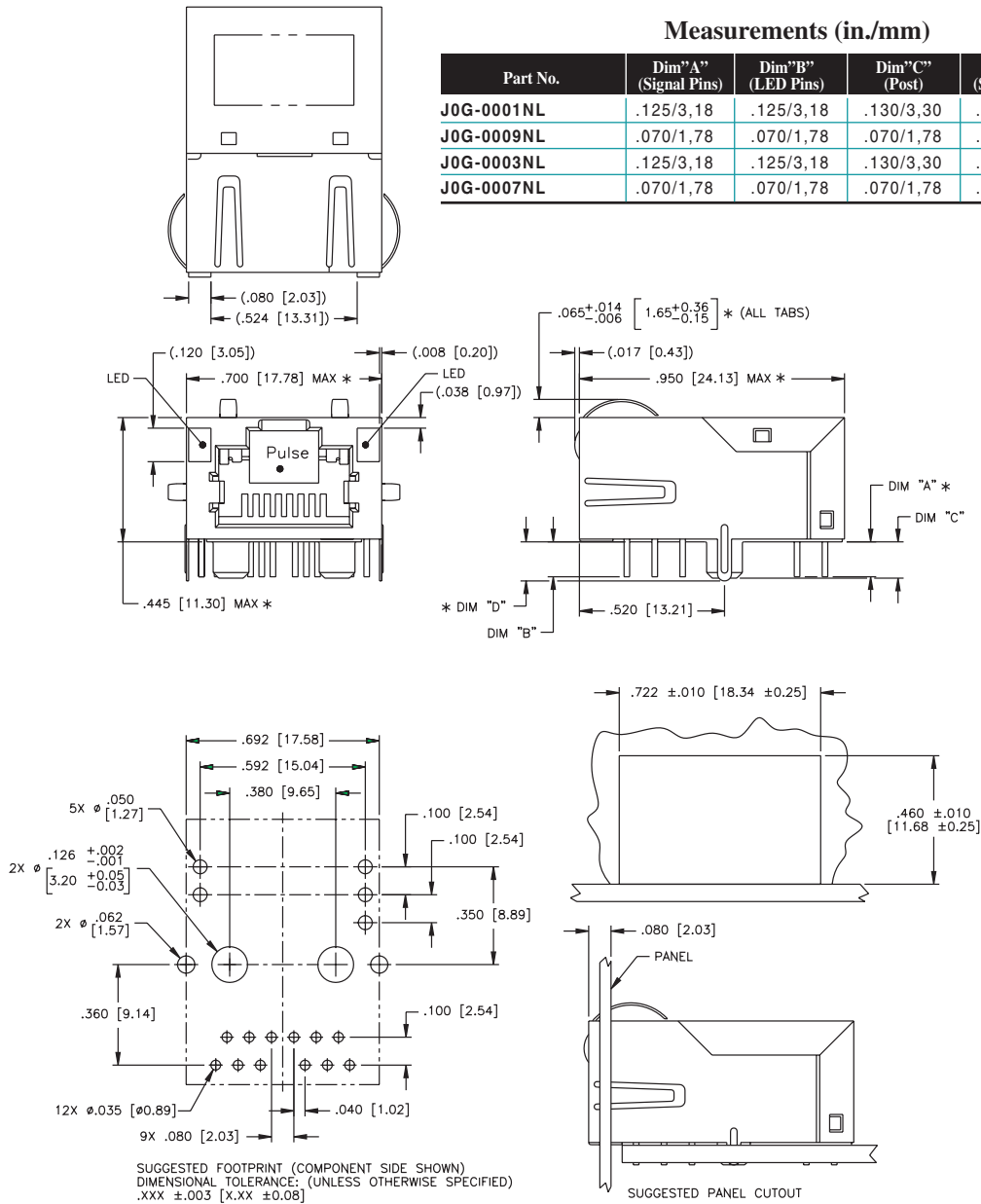


## Mechanicals

JOG-0001NL / 0003NL / 0007NL / 0009NL

Measurements (in./mm)

Part No.	Dim "A" (Signal Pins)	Dim "B" (LED Pins)	Dim "C" (Post)	Dim "D" (Shield Tab)	EMI Tab Config.
JOG-0001NL	.125/3,18	.125/3,18	.130/3,30	.140/3,56	Fig.1
JOG-0009NL	.070/1,78	.070/1,78	.070/1,78	.070/1,78	Fig.2
JOG-0003NL	.125/3,18	.125/3,18	.130/3,30	.140/3,56	Fig.3
JOG-0007NL	.070/1,78	.070/1,78	.070/1,78	.070/1,78	Fig.1



# PulseJack™ 2xN PoE Gigstack

## EMI Tabs Configuration

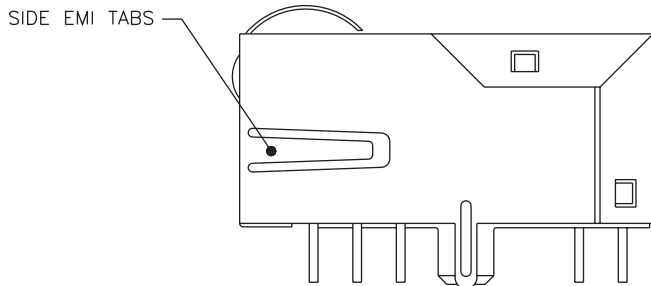


FIGURE 1 (HORIZONTAL SIDE EMI TABS)

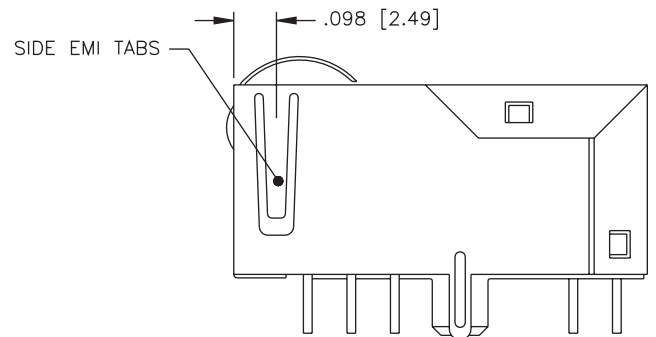


FIGURE 2 (VERTICAL SIDE EMI TABS)

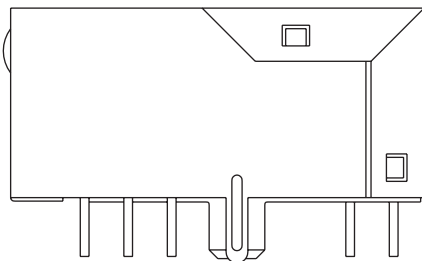


FIGURE 3 (NO EMI TABS)

## For More Information

**Pulse Worldwide Headquarters**  
12220 World Trade Drive  
San Diego, CA  
92128  
U.S.A.

Tel: 858 674 8100

**Pulse Europe**  
Einsteinstrasse 1  
D-71083 Herrenberg  
Germany

Tel: 49 7032 7806

**Pulse China Headquarters**  
B402, Shenzhen Academy of  
Aerospace Technology Bldg.  
10th Kejinan Road  
High-Tech Zone  
Nanshan District  
Shenzhen, PR China  
518057

**Pulse North China**  
Room 2704/2705  
Super Ocean Finance  
Ctr.  
2067 Yan An Road  
West  
Shanghai 200336  
China

**Pulse South Asia**  
135 Joo Seng Road  
#03-02  
PM Industrial Bldg.  
Singapore 368363

Tel: 65 6287 8998  
Fax: 65 6287 8998

**Pulse North Asia**  
3F, No. 198  
Zhongyuan Road  
Zhongli City  
Taoyuan County 320  
Taiwan R. O. C.  
Tel: 886 3 4356768  
Fax: 886 3 4356823  
(Pulse)

Performance warranty of products offered on this data sheet is limited to the parameters specified. Data is subject to change without notice. Other brand and product names mentioned herein may be trademarks or registered trademarks of their respective owners. © Copyright, 2017. Pulse Electronics, Inc. All rights reserved.

# Mouser Electronics

Authorized Distributor

Click to View Pricing, Inventory, Delivery & Lifecycle Information:

Pulse:

[J0G-0009NL](#) [J0G-0007NL](#) [J0G-0002NL](#)