

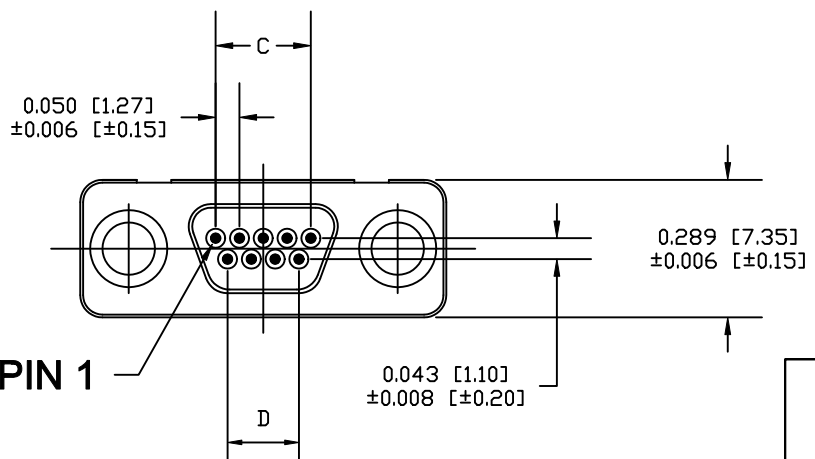
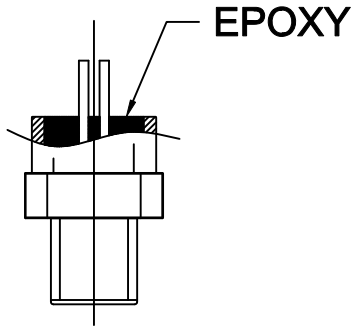
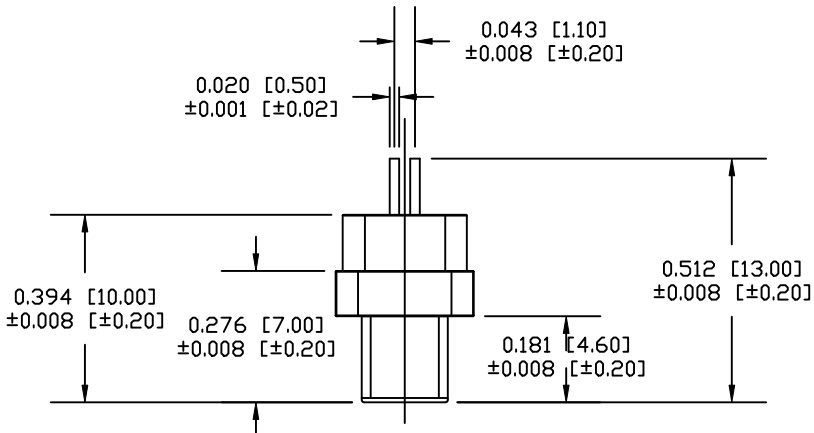
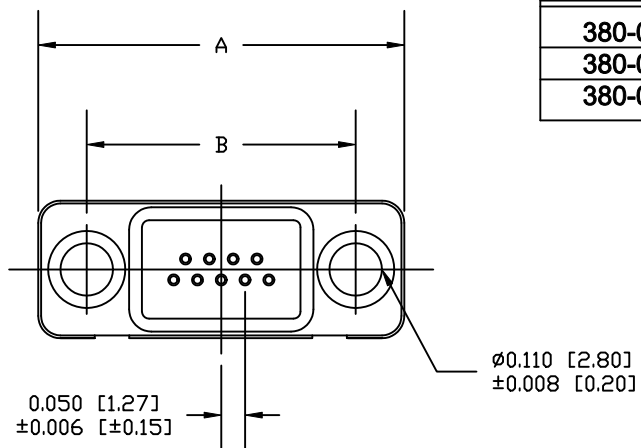
DESCRIPTION: MICRO D-SUB CONNECTOR - MALE

PART NUMBER	# OF PINS	A	B	C	D
380-009-113L001	9	0.770 [19.55]	0.565 [14.35]	0.200 [5.08]	0.150 [3.81]
380-015-113L001	15	0.919 [23.36]	0.717 [18.20]	0.350 [8.89]	0.300 [7.62]
380-025-113L001	25	1.169 [29.70]	0.967 [24.55]	0.600 [15.24]	0.550 [13.97]

TOLERANCE = ±0.006 [±0.15]

**ELECTRICAL**

- CONTACT CURRENT RATING: 1 AMP
- DIELECTRIC WITHSTANDING VOLTAGE: 500 VAC
- INSULATION RESISTANCE: 1000 MOhms MIN.
- CONTACT RESISTANCE: 45 MILLI Ohms MAX.
- OPERATING TEMPERATURE: -55°C TO +85°C



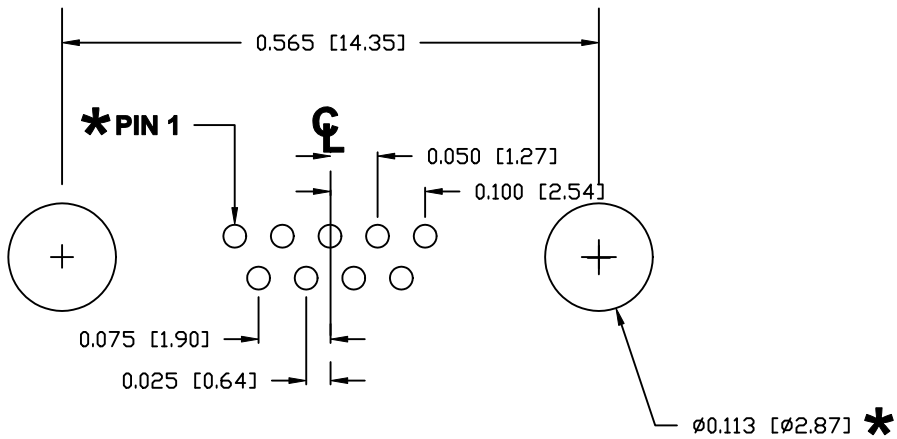
- MATERIAL:**
- HOUSING: PBT
  - SHELL: ZINC ALLOY
  - CONTACTS: BERYLLIUM COPPER  
15  $\mu$  INCH GOLD MATING AREA  
TIN PLATED ON SOLDER AREA

DO NOT SCALE FROM DRAWING

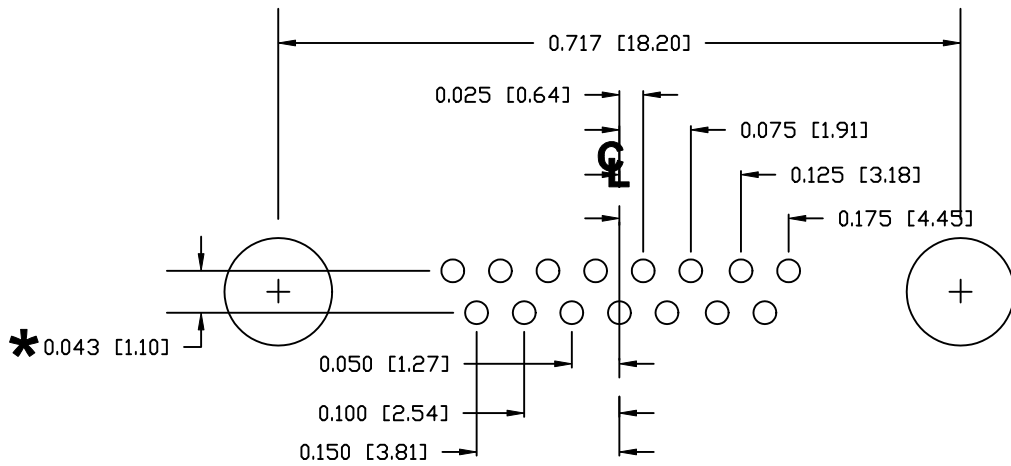
	THESE DRAWINGS AND SPECIFICATIONS ARE THE PROPERTY OF NorComp AND SHALL NOT BE REPRODUCED, COPIED OR USED AS THE BASIS FOR THE MANUFACTURE OF SALE OF APPARATUS WITHOUT WRITTEN PERMISSION.		DRAWN: <b>M. SIGMON</b>	DATE: <b>08-18-11</b>
			CHECKED:	DATE:
<h1>NorComp</h1>		SCALE: <b>2.5 : 1</b>	SHEET <b>1</b>	OF <b>2</b>
		DWG NO. <b>380-YYY-113L001</b>		

**RoHS COMPLIANT**

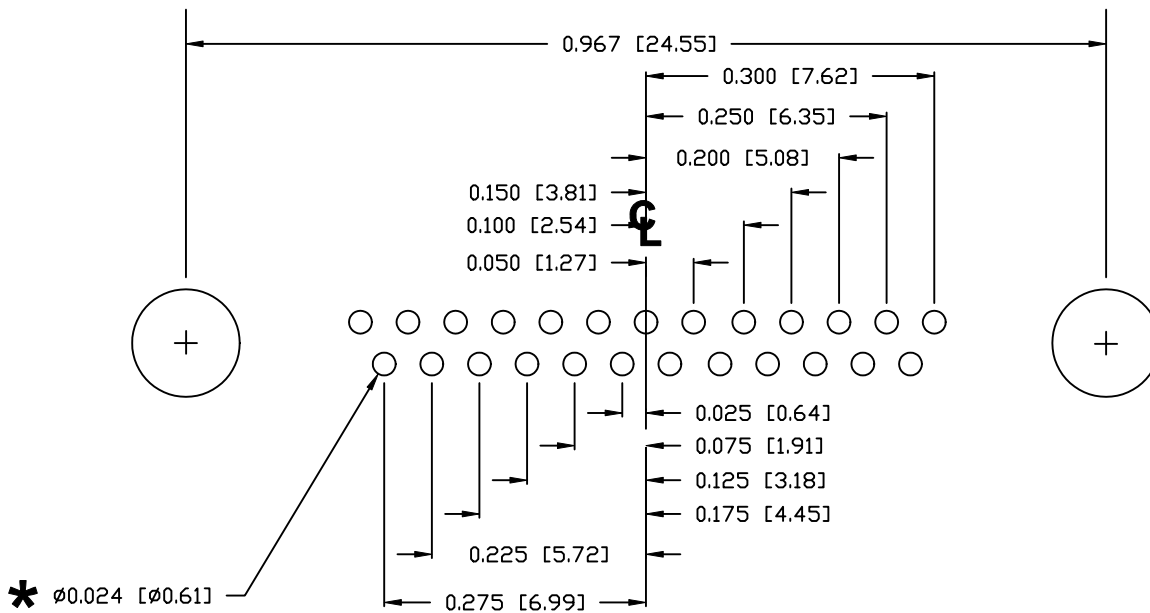
**DESCRIPTION:** MICRO D-SUB CONNECTOR - PCB LAYOUT



**9 POSITION**



**15 POSITION**



**25 POSITION**

**\* TYP. ON ALL SIZES  
TOLERANCE =  $\pm 0.002 [\pm 0.05]$**

**DO NOT SCALE FROM DRAWING**



THESE DRAWINGS AND SPECIFICATIONS ARE THE PROPERTY OF NorComp AND SHALL NOT BE REPRODUCED, COPIED OR USED AS THE BASIS FOR THE MANUFACTURE OF SALE OF APPARATUS WITHOUT WRITTEN PERMISSION.

DRAWN: <b>M. SIGMON</b>		DATE: <b>08-18-11</b>	
CHECKED:		DATE:	
SCALE: <b>5 : 1</b>	SHEET <b>2</b>	OF <b>2</b>	REV <b>1</b>
DWG NO. <b>380-YYY-113L001</b>			

**RoHS COMPLIANT**

**NorComp**

# Mouser Electronics

Authorized Distributor

Click to View Pricing, Inventory, Delivery & Lifecycle Information:

[NorComp:](#)

[380-009-113L001](#) [380-015-113L001](#) [380-025-113L001](#)