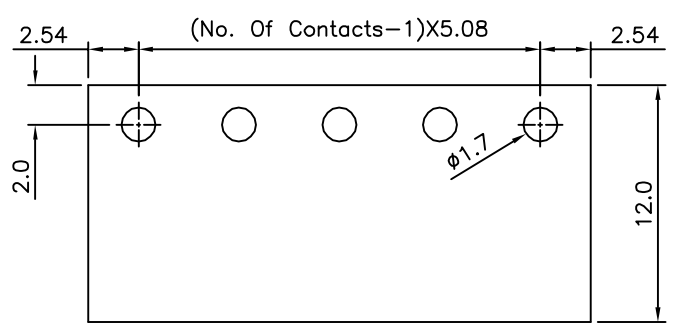
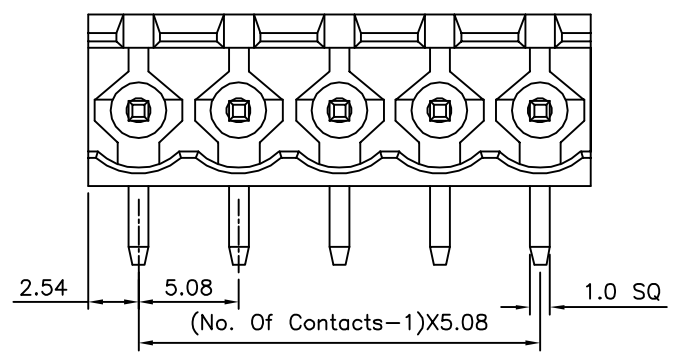


**△ SPECIFICATION**  
 Voltage Rating: 300V AC  
 Current Rating: 16A  
 Withstanding Voltage: AC 2500V (1 Minute)  
 Using Temperature Range: -40°C ~ +105°C  
 Soldering Temperature: +250°, 5 Seconds Max.  
 Solder Pin: Copper Alloy, Tin Plated  
 △ Insulator Body (Housing): Polyamide + G.F. (UL94V-0), Green  
 RoHS Compliant



Recommended P.C.B. Layout



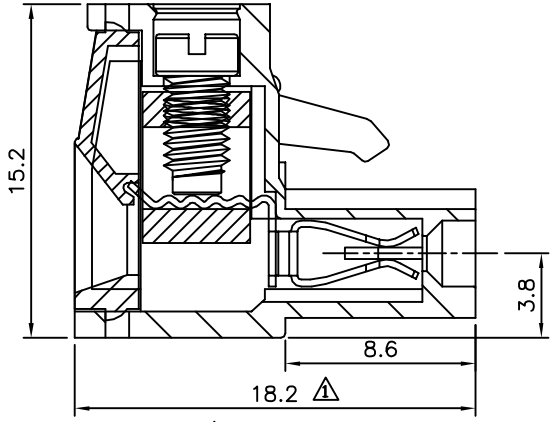
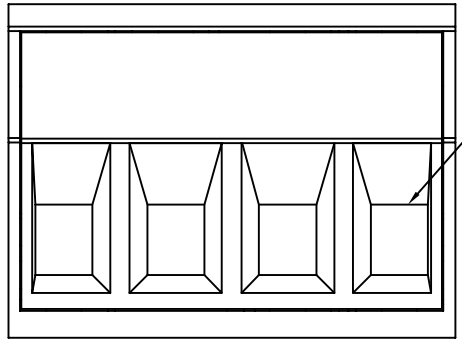
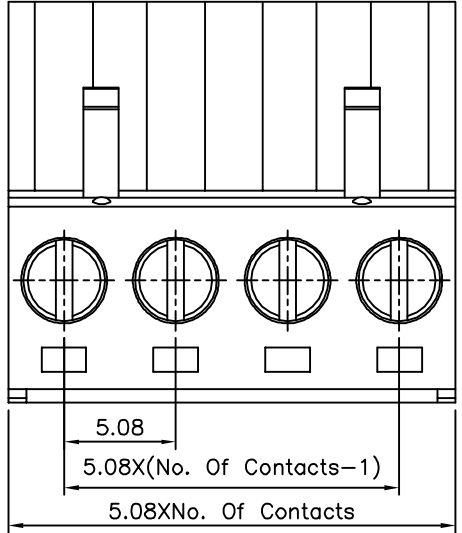
DRAWING No.		APPROVED BY		UNLESS OTHERWISE SPECIFIED TOLERANCES ARE X. ±0.50 .X ±0.30 .XX ±0.20 ANG. ±1°
19883		EMILY		
		CHECKED BY		
		HZF		
		DRAWING BY		
		HTP		
SCALE	NONE	REV.	A2	UNIT
				mm

NO.	REV.	REVISIONS	CHK	DATE
△ A2		Modify Data	HZF	08/08/2014
△ A1		Modify Data	HZF	02/17/2012
△ A0		NEW RELEASE	HZF	04/10/2009



**SPECIFICATION**

Current Rating:16 Amp/Way Max.  
 Voltage Rating:300V AC  
 Contact Resistance:20 Milliohms Max.  
 Withstanding Voltage:2500V AC(1 Minute)  
 Test Time=60 Sec./1 PCS  
 Operation Temperature:-40°C~+105°C  
 Soldering Reliability:Test Temperature=250°C±10°C/  
 5 Seconds Max.  
 Wire Range:12~26 AWG  
 Torque:5.0 Kgf.cm/M3  
 Insulator Body(Housing):Polyamide(UL94V-0),Green  
 Contact(Metal Housing):Copper Alloy,Nickel Plated  
 Wire Guard:Copper Alloy,Tin Plated  
 Screw:Steel,Galvanized With Cr3+ Plated  
 RoHS Compliant



DRAWING No.		APPROVED BY		UNLESS OTHERWISE SPECIFIED					
19868		EMILY		TOLERANCES ARE					
		CHECKED BY HZF		X. ±0.50		A3	Modify Spec.	HZF	02/12/2014
		DRAWING BY YBL		.X ±0.30		A2	Modify Data	HZF	12/16/2011
SCALE NONE		REV. A3		.XX ±0.20		A1	Modify Data	HZF	06/29/2010
				ANG. ±1°		A0	NEW RELEASE	HZF	04/10/2009
				UNIT mm		NO.	REVISIONS	CHK	DATE