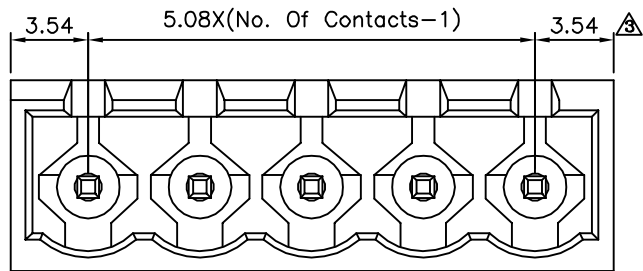
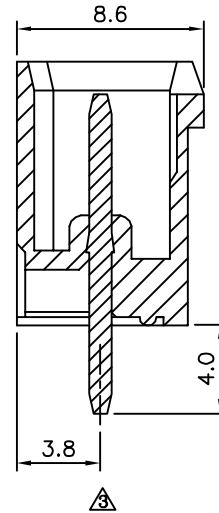
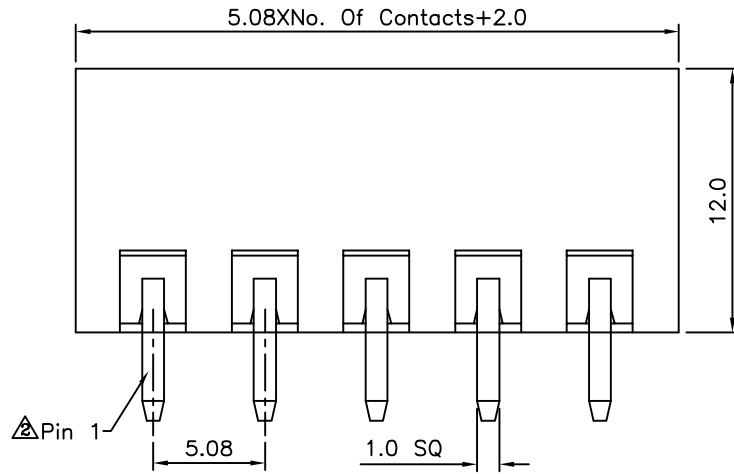


Recommended P.C.B. Layout



**△ SPECIFICATION**

Current Rating:16A  
 Voltage Rating:300V AC  
 Withstanding Voltage:2500V AC(1Minute)  
 Using Temperature Range:-40°C~+105°C  
 Soldering Temperature:+250°C,5s Max.  
 Solder Pin:Copper Alloy,Tin Plated

△ Insulator Body(Housing):Polyamide+G.F.(UL94V-0),Green  
 RoHS Compliant



DRAWING No.  
09134

APPROVED BY  
EMILY  
 CHECKED BY  
HZF  
 DRAWING BY  
GAO

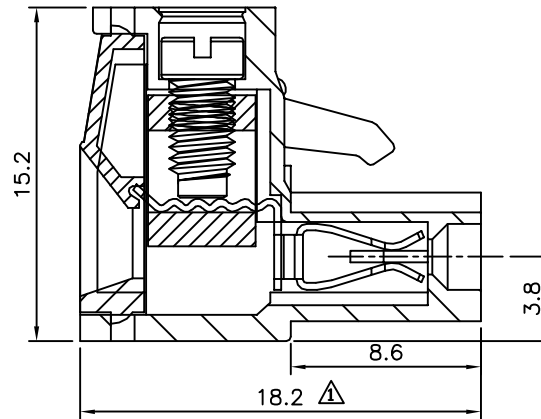
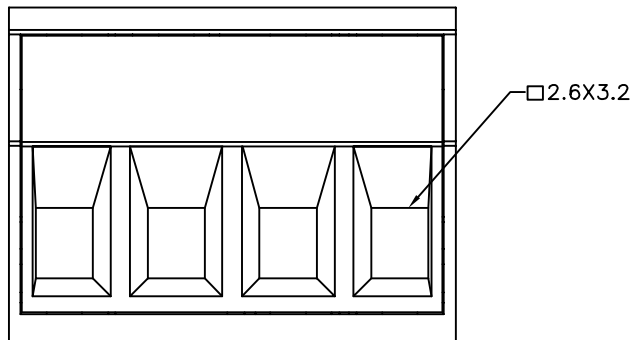
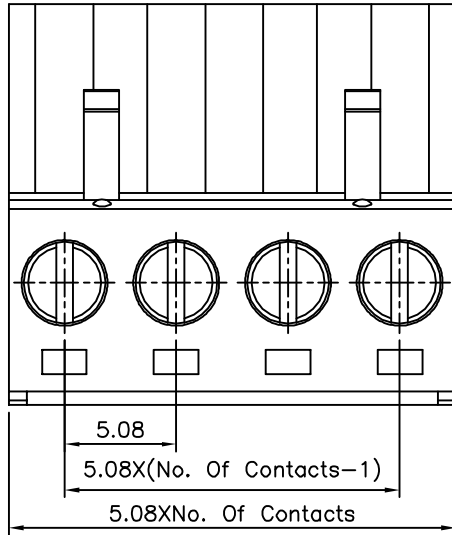
UNLESS OTHERWISE SPECIFIED TOLERANCES ARE  
 X. ±0.50  
 .X ±0.30  
 .XX ±0.20  
 ANG. ±1°

SCALE NONE

REV. A3

UNIT mm

NO.	REV.	REVISIONS	CHK	DATE
△ A3		Modify Data	HZF	01/25/2013
△ A2		Add Pin 1	HZF	11/22/2011
△ A1		Modify Data	HZF	08/04/2011
△ A0		NEW RELEASE	HZF	04/13/2009



**△△ SPECIFICATION**

Current Rating:16 Amp/Way Max.  
 Voltage Rating:300V AC  
 Contact Resistance:20 Milliohms Max.  
 Withstanding Voltage:2500V AC(1 Minute)  
 Test Time=60 Sec./1 PCS  
 Operation Temperature:-40°C~+105°C  
 Soldering Reliability:Test Temperature=250°C±10°C/  
 5 Seconds Max.  
 Wire Range:12~26 AWG  
 Torque:5.0 Kgf.cm/M3  
 Insulator Body(Housing):Polyamide(UL94V-0),Green  
 △ Contact(Metal Housing):Copper Alloy,Nickel Plated  
 Wire Guard:Copper Alloy,Tin Plated  
 Screw:Steel,Galvanized With Cr3+ Plated  
 RoHS Compliant



DRAWING No.		APPROVED BY		UNLESS OTHERWISE SPECIFIED TOLERANCES ARE					
19868		EMILY		X. ±0.50		△ A3	Modify Spec.	HZF	02/12/2014
		CHECKED BY		.X ±0.30		△ A2	Modify Data	HZF	12/16/2011
		DRAWING BY		.XX ±0.20		△ A1	Modify Data	HZF	06/29/2010
		YBL		ANG. ±1°		△ A0	NEW RELEASE	HZF	04/10/2009
SCALE	NONE	REV.	A3	UNIT	mm	NO.	REVISIONS	CHK	DATE