

MATERIAL

Pitch: 3.5/3.81mm

Poles: 2P-24P

Pin header: Brass, Tin plated

Housing: PA66. UL94V - 0

ELECTRICAL

Rated voltage: 300V

Rated current: 8A

Withstanding voltage: AC2000V/1Min

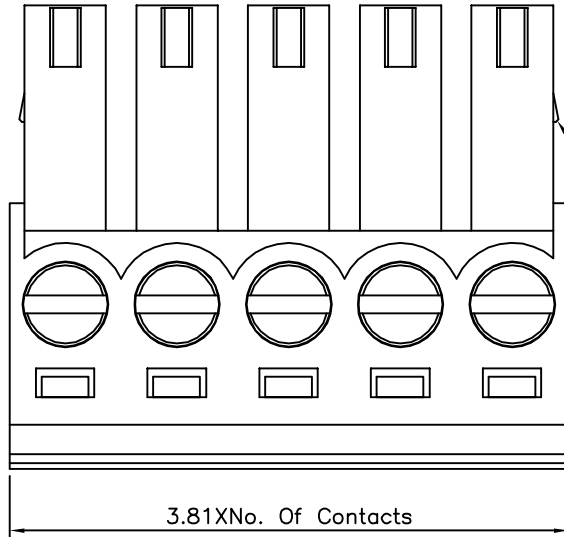
MECHANICAL

Temperature range: $-40^{\circ}\text{C} \sim +105^{\circ}\text{C}$

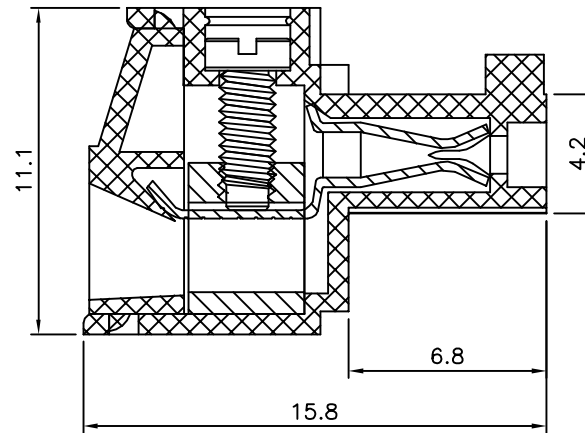
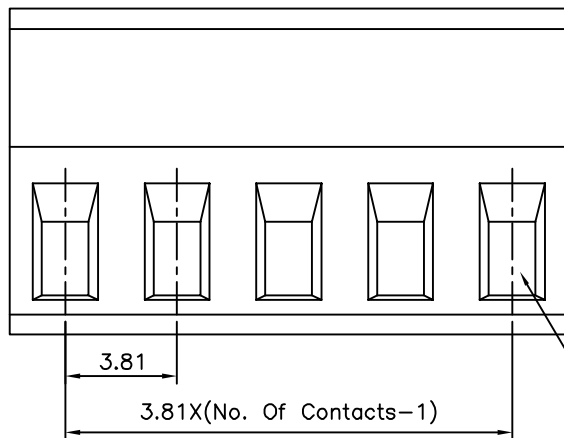
MAX soldering: $+250^{\circ}\text{C}$ for 5 sec.

△ SPECIFICATION

Current Rating:12 Amp/Way Max.
 Voltage Rating:300V AC
 Withstanding Voltage:2500V AC/Minute
 Test Time=60 Seconds/PCS
 Contact Resistance:20 Milliohms Max.
 Wire Range:16~24 AWG
 Torque:2.5kgf.cm/M2
 Operation Temperature:-40°C~+105°C
 Contact(Metal Housing):Copper Alloy,Nickel Plated
 Terminal Screw:Steel,Galvanized With Cr3+ Plated
 Wire Guard:Copper Alloy,Tin Plated
 Insulator Body(Housing):Polyamide(UL94V-0),Green
 RoHS Compliant



2P~6P With Wedge,Above 7P
 Without Wedge(Including 7P)



△

NO.	REV.	REVISIONS	CHK	DATE
△ A1		Modify Data	HZF	08/14/2012
△ A0		NEW RELEASE	HZF	04/10/2009