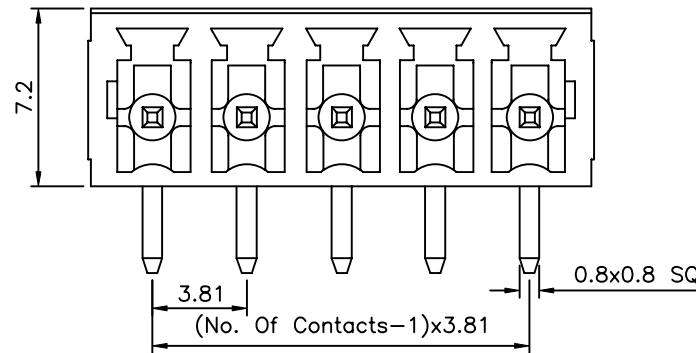
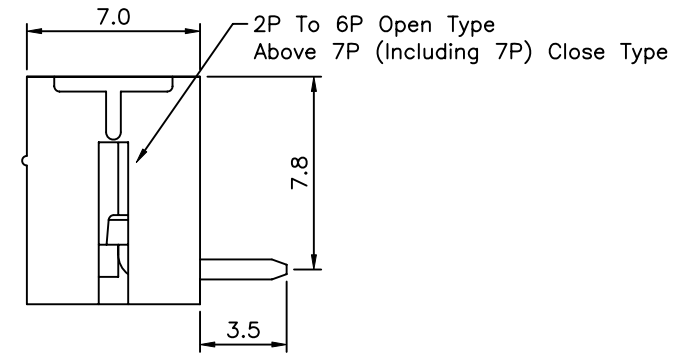
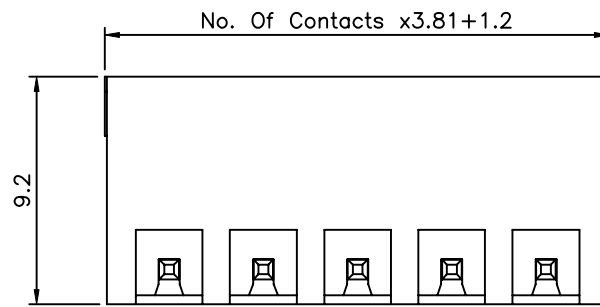


P.C.B Layout

SPECIFICATION

Current Rating:8A
 Voltage Rating:250V AC
 Withstanding Voltage:AC 1200V(1Minute)
 Insulation Resistance:500 Megaohms At DC 500V
 Using Temperature Range:-40°C~+105°C
 Soldering Temperature:+250°C,5Seconds Max.
 Insulator Body(Housing):Polyamide
 (Glass Filled)UL94V-0,Green
 Solder Pin:Brass,Tin Plated
 RoHS Compliant



DRAWING No.
07551

APPROVED BY MEI
 CHECKED BY HZF
 DRAWING BY HYY

UNLESS OTHERWISE SPECIFIED TOLERANCES ARE
 X. ±0.50
 .X ±0.30
 .XX ±0.20
 ANG. ±1°

SCALE NONE

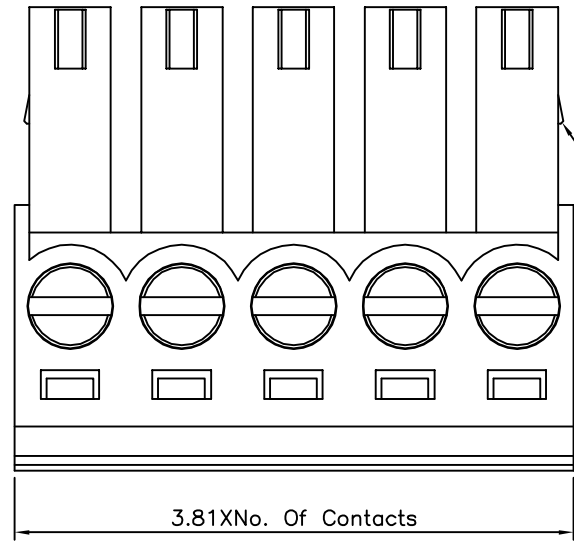
REV. A0

UNIT mm

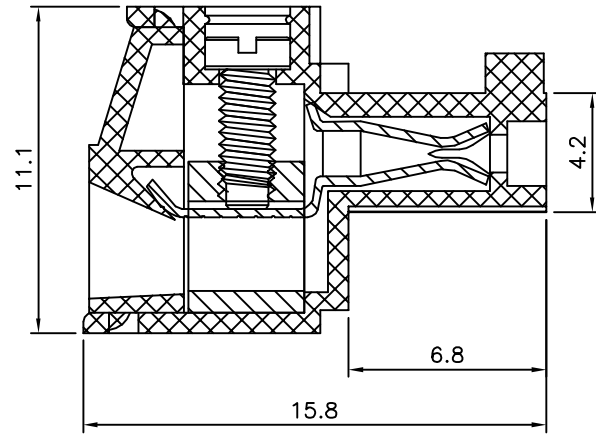
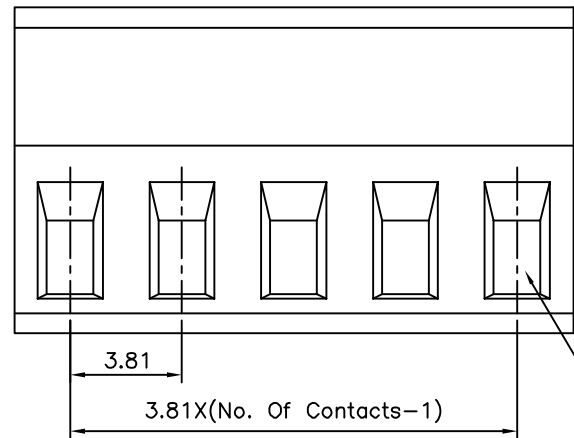
NO.	REV.	REVISIONS	CHK	DATE
△ A0		NEW RELEASE	HZF	04/10/2009

△ SPECIFICATION

Current Rating:12 Amp/Way Max.
 Voltage Rating:300V AC
 Withstanding Voltage:2500V AC/Minute
 Test Time=60 Seconds/PCS
 Contact Resistance:20 Milliohms Max.
 Wire Range:16~24 AWG
 Torque:2.5kgf.cm/M2
 Operation Temperature:-40°C~+105°C
 Contact(Metal Housing):Copper Alloy,Nickel Plated
 Terminal Screw:Steel,Galvanized With Cr3+ Plated
 Wire Guard:Copper Alloy,Tin Plated
 Insulator Body(Housing):Polyamide(UL94V-0),Green
 RoHS Compliant



2P~6P With Wedge,Above 7P
 Without Wedge(Including 7P)



△



DRAWING No.		APPROVED BY		UNLESS OTHERWISE SPECIFIED TOLERANCES ARE X. ±0.50 .X ±0.30 .XX ±0.20 ANG. ±1°						
15718		EMILY								
		CHECKED BY								
		HZF								
		DRAWING BY								
		SONG								
SCALE	NONE	REV.	A1	UNIT	mm	NO.	REV.	REVISIONS	CHK	DATE
						△ A1	Modify Data		HZF	08/14/2012
						△ A0	NEW RELEASE		HZF	04/10/2009